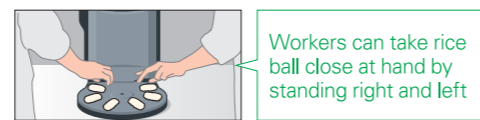


Sushi Maker  
**ASM440CE**



When working on the both side of machine...

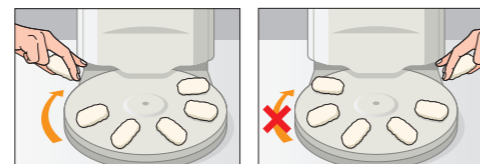


Workers can take rice ball close at hand by standing right and left



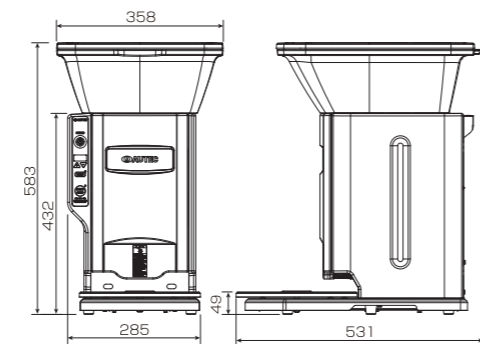
The Motion when worker taking rice ball by standing on the left side of new machine.

The Motion when worker taking rice ball by standing on the right side of new machine.



The Motion when worker taking rice ball by standing on the left side of old machine.

Worker couldn't take rice ball by standing on the right side of old machine.



<b>ASM440CE</b>	
<b>Power Supply</b>	AC100-240V, 50 / 60 Hz
<b>Power Consumption</b>	25W
<b>Production Capacity</b>	A maximum output of 4,200 rice balls / hour.
<small>※ The number of lumps produced varies according to the settings and the forming conditions.</small>	
<b>External Dimensions</b>	Approx. W 358mm x D 531mm x H 583mm
<b>Amount adjustment</b>	Approx. 16~24g (Forming Roller Selection Type SSS-SS-S-M-L)
<b>Hopper Capacity</b> (Sushi rice volume)	Maximum of approximately 6.6 kg.
<b>Weight</b>	Approx. 20 kg

Variations of forming rollers

Name	Weight
SSS	Approx. 16 g
SS	Approx. 18 g
S	Approx. 20 g
M	Approx. 22 g
L	Approx. 24 g

※A set of forming roller is included when purchasing 1 set of each machine; additional forming rollers are optional.  
※Other sizes would be compiled as special specification.

**Compact Design, High speed Forming Capacity, Flexible Operation Sushi Rice Ball Maker**

- Industry's first "Both Side Taking" function, able to work concurrently with 2 people.
- Max. 4,200 rice ball per hour capable of forming, 175% speed up compare to conventional model.
- Rice ball piece number on the turntable is selectable. (max to 9 pieces), turning direction is also switchable. (right/left)

Sushi Maker  
**ASM405SCE**



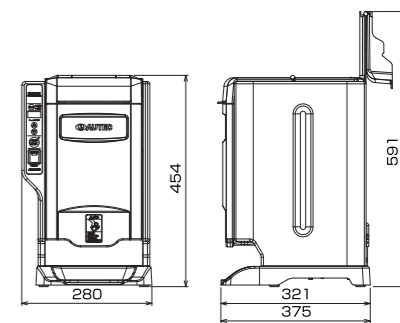
Control Panel



In HAND mode, sensor detects hand position and drops a rice ball



In AUTO mode, after a rice ball is picked up, another is dropped



<b>ASM405SCE</b>	
<b>Power Supply</b>	AC230V 50Hz
<b>Power Consumption</b>	40W
<b>Production Capacity</b>	Up to 1,800 pieces per hour <small>※The production capacity varies depending on the setting</small>
<b>Volume Adjustment</b>	16 - 24 g / ball (SSS, SS, S, M, L)
<b>Hopper Capacity</b>	Approx. 3.3 kg <small>※manual rice feeding system</small>
<b>Dimensions</b>	W 280 x D 321 x H 454 mm <small>※Excluding the power cord and screw's salient parts</small>
<b>Weight</b>	Approx. 16 kg

Variations of forming rollers

Name	Weight
SSS	Approx. 16 g
SS	Approx. 18 g
S	Approx. 20 g
M	Approx. 22 g
L	Approx. 24 g

※A set of forming roller is included when purchasing 1 set of each machine; additional forming rollers are optional.  
※Other sizes would be compiled as special specification.

**Stylish & compact : Novel SUSHI-CUBE everyone will want to display it**

- A hand sensor is used to detect hand position and drop a rice ball.
- Integration of the hopper and the body give it a slim, compact style.
- Easy selection between "HAND" and "AUTO" modes with one touch of a button.



Video QR

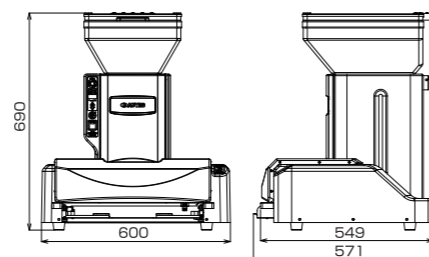


Control Panel



Automatic alignment starts when tray is set

Name	Weight
SSS	Approx. 16 g
SS	Approx. 18 g
S	Approx. 20 g
M	Approx. 22 g
L	Approx. 24 g



ASM460CE		CE
<b>Power Supply</b>	AC230V 50 / 60 Hz	
<b>Power Consumption</b>	115W	
<b>Production Capacity</b>	A maximum output of 3500 rice balls / hour. *The number of lumps produced varies according to the settings and the forming conditions.	
<b>Volume Adjustment</b>	16 - 24 g / ball (SSS, SS, S, M, L)	
<b>Hopper Capacity</b>	Approx. 8.2 kg	
<b>Dimensions</b>	Approx. W 600 x D 571 x H 690 mm * Excluding the Power Cord and protruding parts * Working dimension: D 845 mm is required.	
<b>Weight</b>	Approx. 43 kg	

**Automated Alignment 159% Speed Up to the Former Model**  
**Max. 3,500 sushi rice ball per hour automated forming**

- Machine starts forming sushi rice balls automatically when tray is set.
- 50 sushi rice balls are aligned on the tray automatically in 51 seconds.
- Compact design that fit on working bench of D450xW600mm.



Variations of forming rollers

BASIC TYPE



- Amount 16g (15-17g)
- Amount 18g (17-19g)
- Amount 20g (19-21g)
- Amount 22g (21-23g)
- Amount 24g (23-24g)

SHORT TYPE



- Amount 12g (12-13g)
- Amount 14g (13-15g)



A set of forming roller is included when purchasing 1 set of each machine: additional forming rollers are optional.