

Rice Mixer
ASM780CE



Control Panel



Up Down Button



12kg



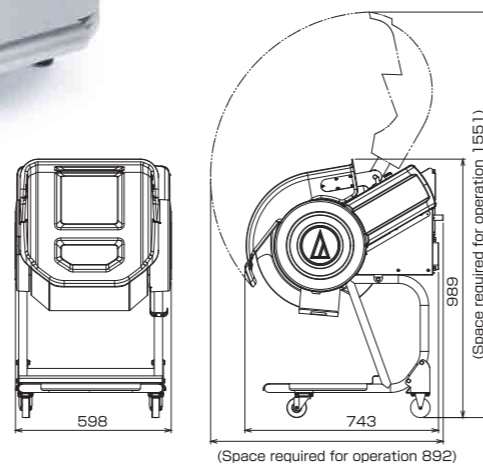
You can easily detach the drum bowl with one touch of a button.



A new cradle-like mixing way is adopted.



A white cover is attached



ASM780CE		CE
Power Supply	AC230V (50 / 60 Hz)	
Power Consumption	200 W	
Capacity	Approx. 6.6 - 13.2 kg	
Dimensions	W 598 x D 743 x H 989 mm ※ Excluding the Power Cord and protruding parts	
Weight	Approx. 47 kg	

Newly developed special resin improves safety and realizes ideal and easy operation.

- A newly-developed temperature sensor on the ASM780 helps to offer uniform finished rice without being affected by the condition of the cooked rice.
- The drum is light and releases quickly because newly developed resin is used and it is also easy to clean as the drum itself can be moved to the sink to be cleaned.
- ASM780 adopts a new method of mixing rice using a cradle-like motion to mix evenly. It is also suitable for making Japanese-style mixed rice by just adjusting mixing time.
- The standard course operating time is approximately 05'18".

*Time will be varied depending on each course number setting.

Rice Mixer
ASM730CE



Control Panel



6.6kg



Newly developed shari drum, detachable with one-touch operation (patent-pending) [TBD]



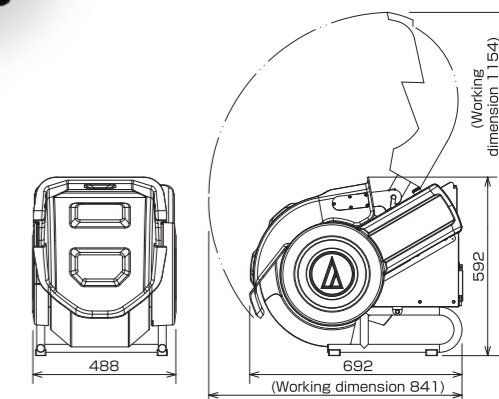
Newly developed shari-mixing bar



New shari-mixing system by which the drum is rocked like a baby cradle



A white cover is attached



ASM730CE		CE
Power Supply	AC230V (50 / 60 Hz)	
Power Consumption	200 W / 50 Hz, 280 W / 60 Hz	
Capacity	Approx. 3.3 Kg - 6.6 Kg	
Dimensions	W 488 x D 692 x H 592 mm ※ Excluding the Power Cord and protruding parts	
Weight	Approx. 35 kg	

The industry's most compact table-top shari mixer.

- The introduction of a new rice mixing system, by which the drum is rocked like a baby cradle. Combined with the rice mixing bar, this new system helps make high-quality shari.
- A non-Teflon drum made of a special resin*² was introduced for the first time in the table-top rice mixer industry*¹.
- The industry's slimmest rice mixer*³ with a width of 500mm or less was realized by removing space.
- The standard course operating time is approximately 04'58".*⁴

*¹ According to our survey in April 2014 *² Joint development with a resin maker *³ According to our survey in April 2014 *⁴ Time will be varied depending on each course number setting.