



Video QR



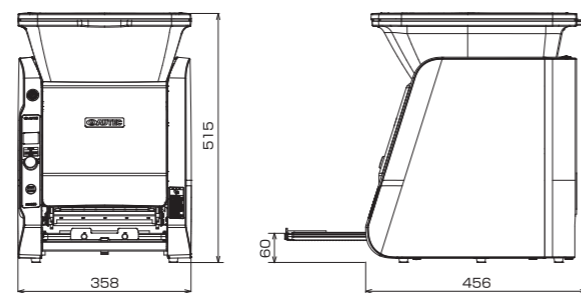
Control Panel

Rice Sheet variations



Compact, Stylish, High speed, Sushi rice sheeter
Provides best quality rice sheet with the highest productivity!

- High speed produce 900- 1,300 pcs rice sheet per hour, to save time for Norimaki making.
- Re-location and Auto supply function without pressing the start button for each production continuously.
- Machine equipped with inner heater, maintain the optimal temperature for rice sheets
- OLED & jog dial equipped, Visual & intuitive operation for easy use by anyone.



ASM895CE		CE
Power Supply	AC100 - 240V, 50/60 Hz	
Power Consumption	50W	
Production Capacity	900 - 1,300 mats/h (* 1200 mats : Length 100 mm)	
Hopper Capacity	Maximum: Approx. 6.6 kg	
Dimensions	W 358mm x D 456mm (max 623mm) x H 515mm ※ Excluding the Power Cord and salient of the Screws.	
Weight	Approx. 30 kg	

Rich variation in menus with ASM895





Norimaki Maker
ASM890CE



Control Panel



There's no need to do anything special when changing out the rolling unit, so the settings will be perfect every time.



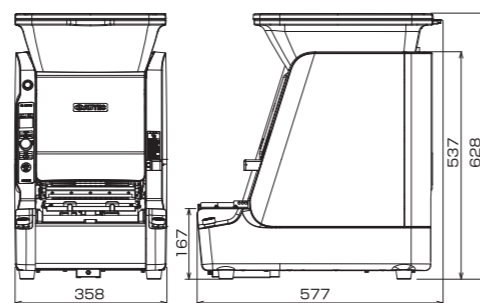
Remove the wrapping unit



Put in a different wrapping unit



Just press the Start button to finish



ASM890CE		CE
Power Supply	AC100V-240V 50/60Hz	
Power Consumption	50W	
Sushi roll sizes	Small, medium, and Large sushi rolls; rolls with rice on the outside (medium or thick); yoko rolls (custom order machines only) ※The specifications of the rolling unit and main unit need to be changed to make yoko rolls	
Rolling capacity (continuous rolling)	Small (S) : 400 rolls/hour; Medium (M) : 360 rolls/hour; Large (L) : 343 rolls/hour ※Based on our process for making them	
Hopper Capacity	Basic: Approx. 6.6 kg (approx. 3.6 l) With add-on: Approx. 10.0 kg (approx. 5.4 l)	
Dimensions	W 358x D 577x H 628mm ※Not including power cord or convex screw parts	
Weight	Approx. 43 kg	

Now anyone can make lots of beautiful sushi rolls in as little as 6 seconds per roll*1

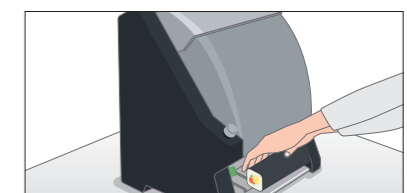
- No difficult steps when switching between sushi roll types
With the new SMD System,*2 all you have to do is press the Start button and the machine automatically detects the wrapping unit.
- Completely revamped structures for the mixture and shaping parts
Simply press one button to quickly form a pro-level, fluffy layer of sushi rice.
The newly added NUW System*3 creates uniform sushi rolls with an even better texture than before.

*1 Small rolls; based on our process for making them *2 Smart Magnetic Detection System
*3 New Uplift Wrapping System

Norimaki Cutter
ASM260CE



Based on ergonomics, it is designed with easy operation.
Put in Norimaki, Press start button and take it up, a series of work flow will be smooth.



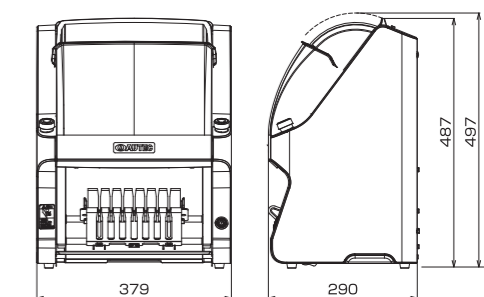
Set Norimaki on the base.



Press Start Switch right above the base.



Pick Norimaki up when the cover opens.



Length Type	Cut PCS	Length/Cut	Either End
185mm	6	30mm	32.5mm
185mm	8	22.5mm	25mm
185mm	10	18mm	20.5mm
205mm	8	25mm	27.5mm
205mm	10	20mm	22.5mm
205mm	12	16.5mm	20mm

Anyone can cut rolls easily and quickly for more beautiful ones that sell better!

- Protecting cutter blades with「Smart Brake Structure」
With this structure, it would prevent from installing wrong cut base, so that the risk of blade damage can be avoid.
The cost of exchanging blades will be reduced.
- Double switch system that starts when the left and right start switches are pressed at the same time,
「Single Emergency Stop System」that stops the operation immediately by pressing either of the start switches during the operation.

ASM260CE		CE
Power Supply	AC100V-240V 50/60Hz	
Power Consumption	35W	
Dimensions	W 379 x D 290 x H 497 mm ※Excluding the Power cord and protruding parts.	
Range of Norimaki sizes	Thickness: Equivalent to 25 square - 50 square(mm) Length: Lengthwise roll(for 6/8 pcs) 180-190mm Yoko roll(for 10 pcs) 200-210mm	
Cutting Size (mm)	For 6 pcs cut: 30mm each For 8 pcs cut: 22.5mm each For 10 pcs cut: 20mm each	
Production Capacity	Up to 600 pcs per hour ※Including putting Norimaki action for 2sec. Small maki(25mm) 4 pcs(2,400pcs per hour) Medium maki(35mm) 2 pcs(1,200pcs per hour) Large maki(45mm) 1pcs(600pcs per hour) ※The production capacity varies depending on the setting and the conditions.	
Weight	Approx. 17 kg	