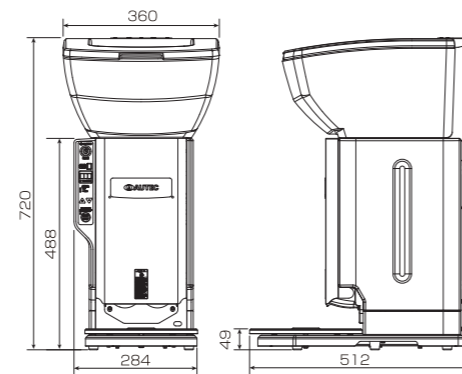
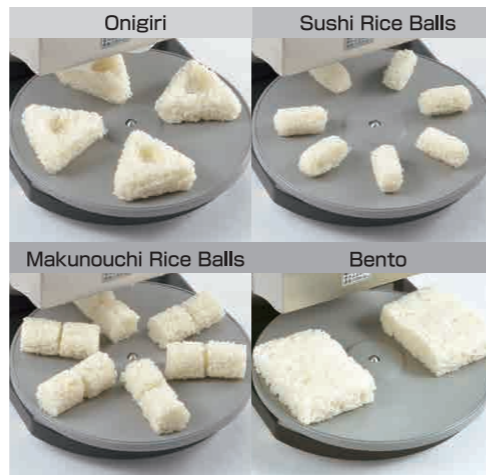




Control Panel



ASM575CE	
Power Supply	AC100-240V, 50 / 60 Hz
Power Consumption	25W
Production Capacity	
※The production capacity varies depending on the setting and the conditions.	
Onigiri	1,300 - 1,950 pcs. / hour
Sushi Rice Balls	2,600 pcs. / hour
Makunouchi	1,625 - 5,200 pcs. / hour
External Dimensions	Approx. W 360mm x D 512 mm x H 720 mm
Hopper Capacity	Maximum of approximately 10.0 kg.
(Sushi rice volume)	
Weight	Approx. 25 kg

Multiple roles with one machine

- ASM575 produces Onigiri, Sushi rice balls and Makunouchi rice balls by changing the forming units.
※A set of forming unit of your preferred shape is included when purchasing 1 set of ASM545. Additional forming units are optional.
- Faster production speed of 1,650 pieces of Onigiri per hour, 2,200 pieces of Sushi rice balls per hour, and 1,375 - 4,400 pieces of Makunouchi rice balls per hour.
- Use of new feeding change-over structure, thinner Onigiri for sandwich and mini-Onigiri are also be formed.

ASM575 Forming sizes and shapes

In addition to the lists below, various sizes and shapes of forming units are available. We also accept special size and shape orders.

Onigiri			Sushi Rice Ball	
<ul style="list-style-type: none"> ●Type SL-G (approx. 100 g) 	<ul style="list-style-type: none"> ●Type SM-G (approx. 80 g) 	<ul style="list-style-type: none"> ●Type Triangle 40 (approx. 40 g) 	<ul style="list-style-type: none"> ●Type Sushi Rice Ball (approx. 21 g) 	<ul style="list-style-type: none"> ●Type Sushi Rice Ball (approx. 18 g)
<ul style="list-style-type: none"> ●Sandwich Triangle L (approx. 50 g) 				
<ul style="list-style-type: none"> ●Sandwich Triangle M (approx. 40 g) 			<ul style="list-style-type: none"> ●Type Makunouchi 40 - 75 (approx. 100 g) 	
<ul style="list-style-type: none"> ●Type Triangle 60UG (approx. 60 g) 			<ul style="list-style-type: none"> ●Type Makunouchi 38 - 36 (approx. 35 g) 	
<ul style="list-style-type: none"> ●Type Triangle 17UG (approx. 100 g) 			<ul style="list-style-type: none"> ●Type Makunouchi 28 - 37 (approx. 21 g) 	
			<ul style="list-style-type: none"> ●Type Makunouchi 30 - 60 (approx. 40 g) 	
<ul style="list-style-type: none"> ●Bento (Approx. 200 g) 				